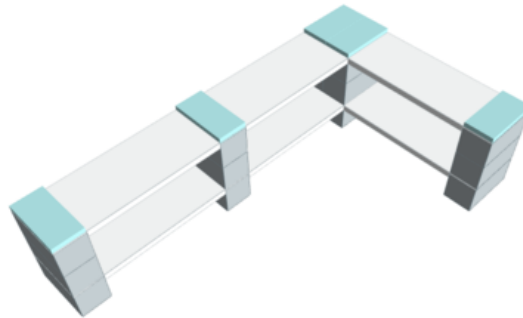




---

**Model:** 2 Level Double Corner Shelving Kit B

**Designer:** EverBlock Systems



**FULL BLOCKS**

Light Grey

15

**Total****15****FINISHING CAP**

Light Blue

5

**Total****5****HALF SHELF UNIT 36"**

White

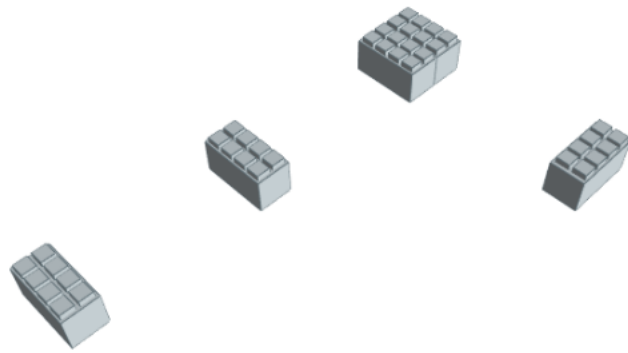
6

**Total****6**



Step #1

Full Block x 5 | Light Grey



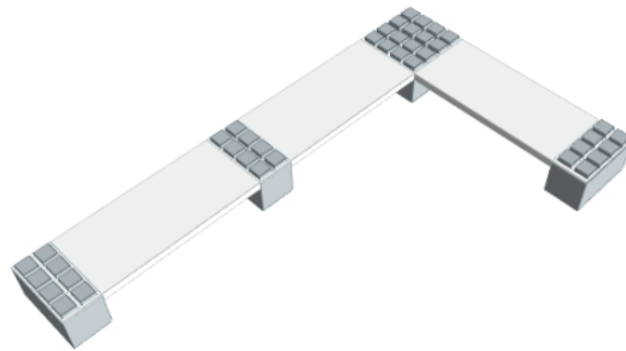
Step #2

36" Shelf 2 x 3 | White



Step #2

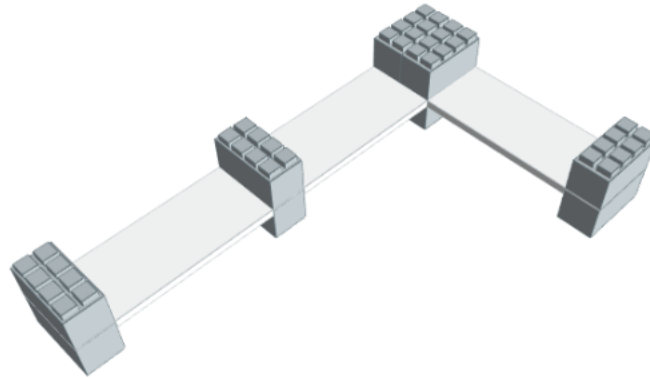
36" Shelf 2 x 3 | White



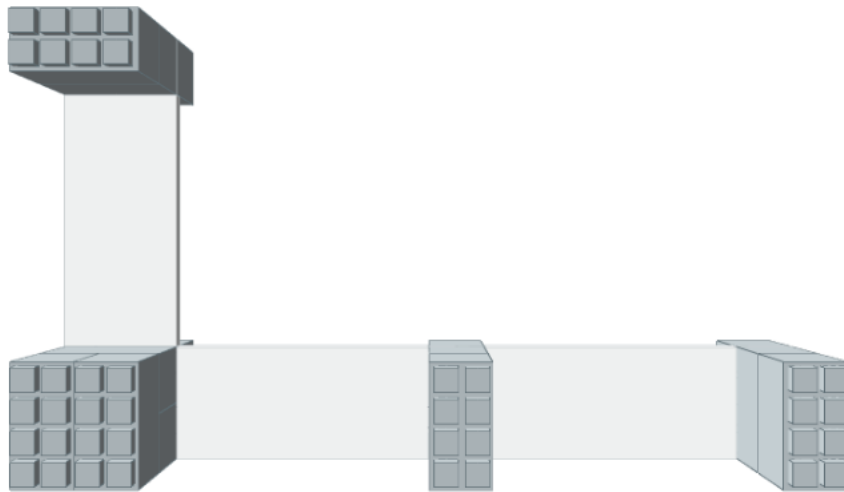


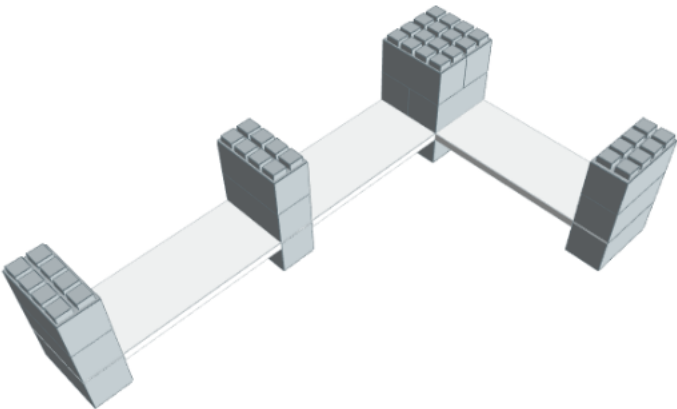
Step #3

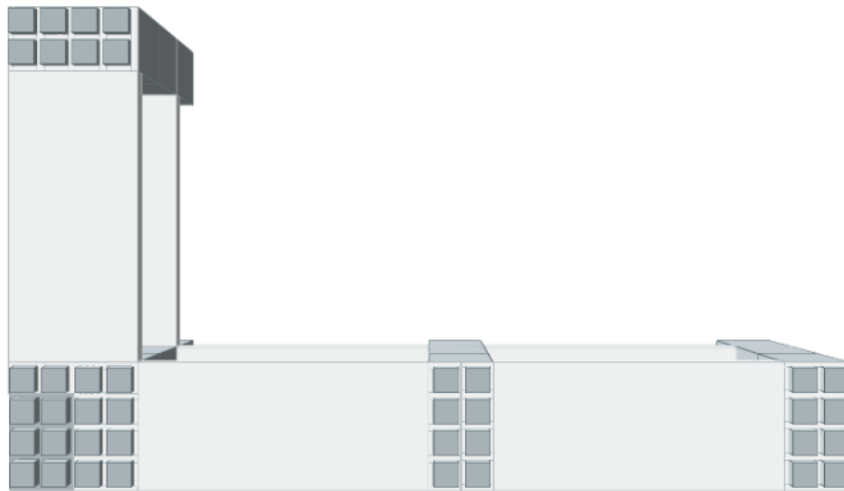
Full Block x 5 | Light Grey











Step #5

36" Shelf 2 x 3 | White

